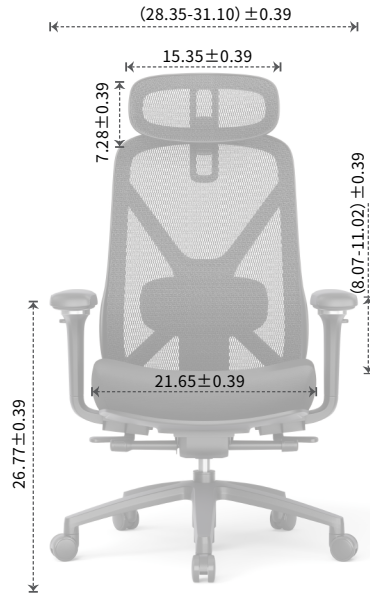


# Model: CH-601A

6-Year Warranty



Unit: inch

## Product Dimensions:

Product Size	D(26.77-28.54)*W(28.35-31.10) *H(46.65-55.91)
Headrest Width	15.35±0.39
Headrest Height	7.28±0.39
Back Width	20.47±0.39
Seat Width	21.65±0.39
Seat to Arm	(8.07-11.02)±0.39
Floor to Arm	MIN 26.77±0.39

## Shipping Dimensions:

Carton Length	33.07
Carton Width	16.54
Carton Height	25.98

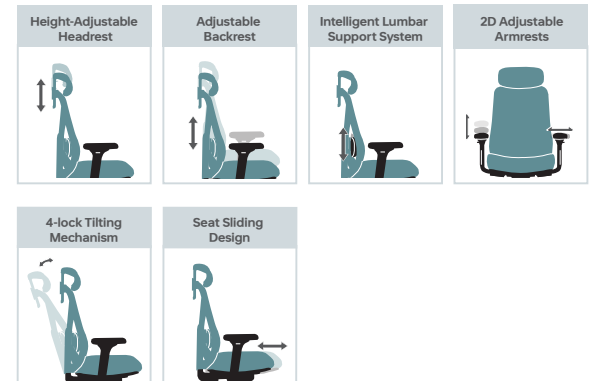
## Product Features:

- Height-adjustable backrest
- Height-adjustable lumbar support
- 3.74 in thick molded foam
- 2D armrest (height and width adjustable)
- 4-lock synchro tilt mechanism with seat slide function
- 3.35 in extended length + Class-3 gas lift
- 13.78 in black PA base
- Black PU casters
- Weight capacity in pounds: 300

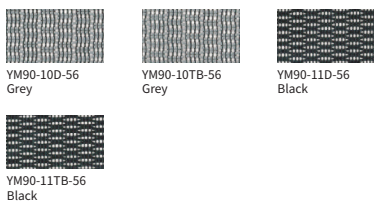
## Material Details:

- Frame: PP
- Seat: Foam
- Cushion Thickness: 3.74 inch
- Back Fabric: YM90-11 Series
- Seat Fabric: OS-300 Series

## Ergonomic Functions:



## Back Fabric:



## Seat Fabric:



\*Special Order Seat Fabric  
Min Qty: 20 Lead Time: 10-week